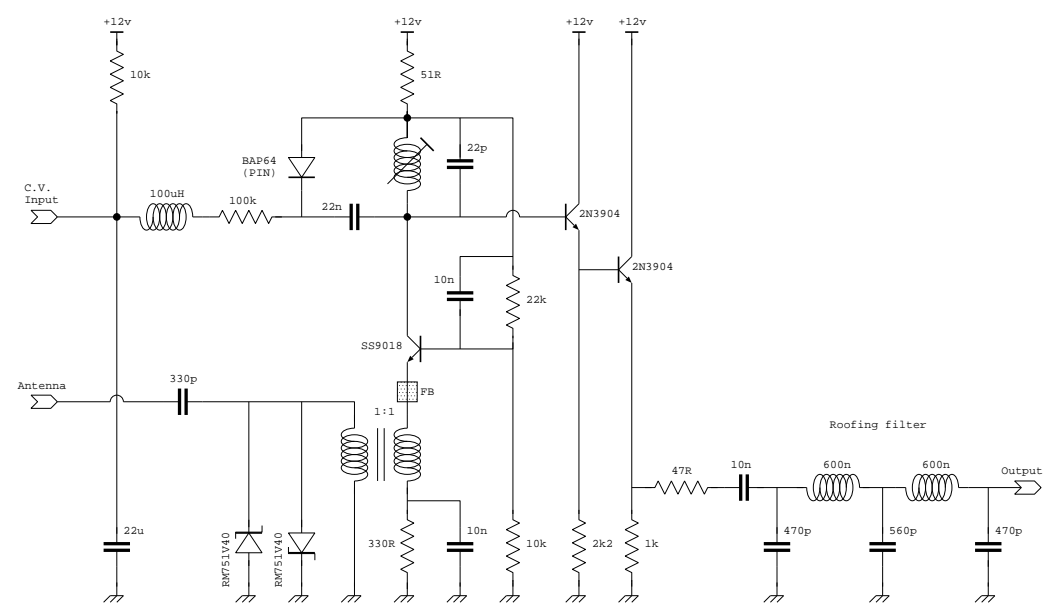
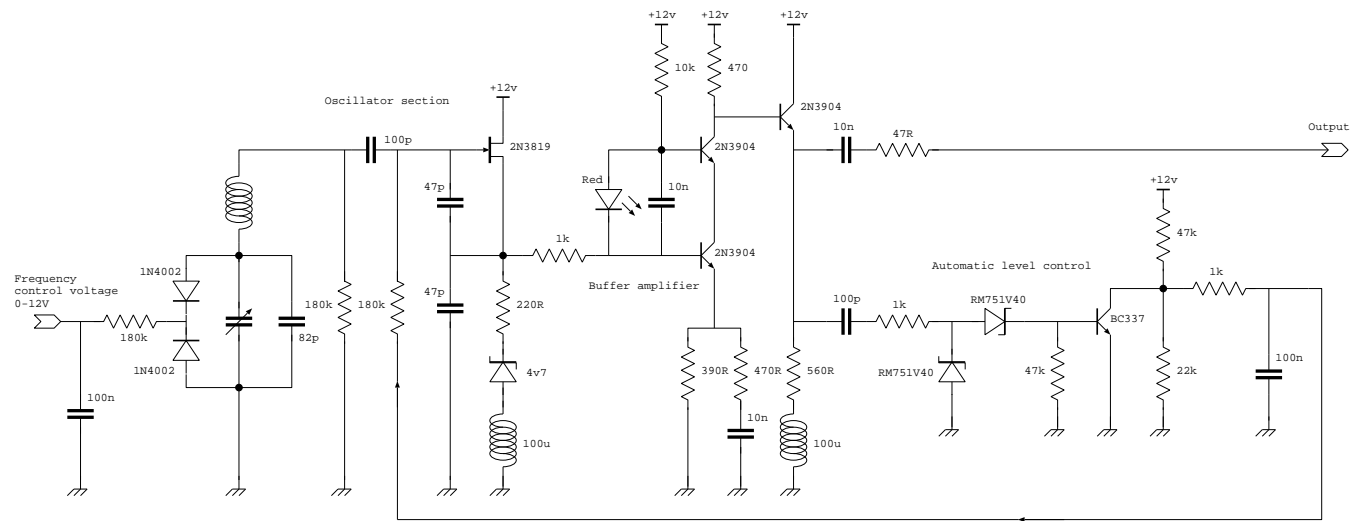


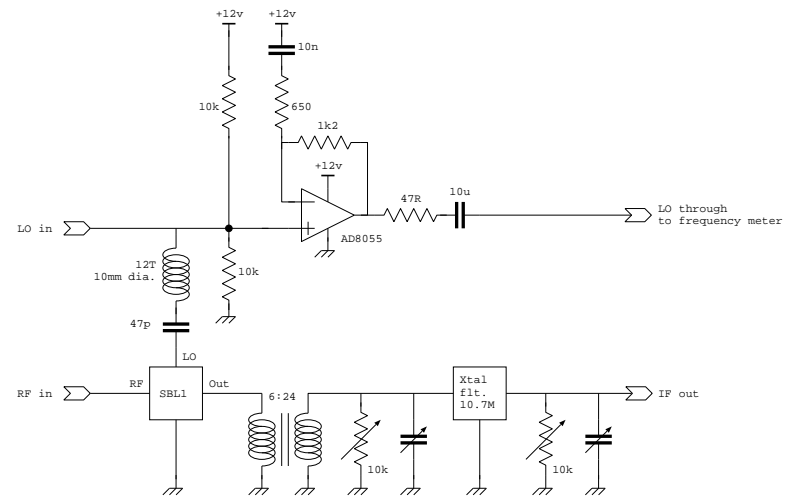
1: RF Front End



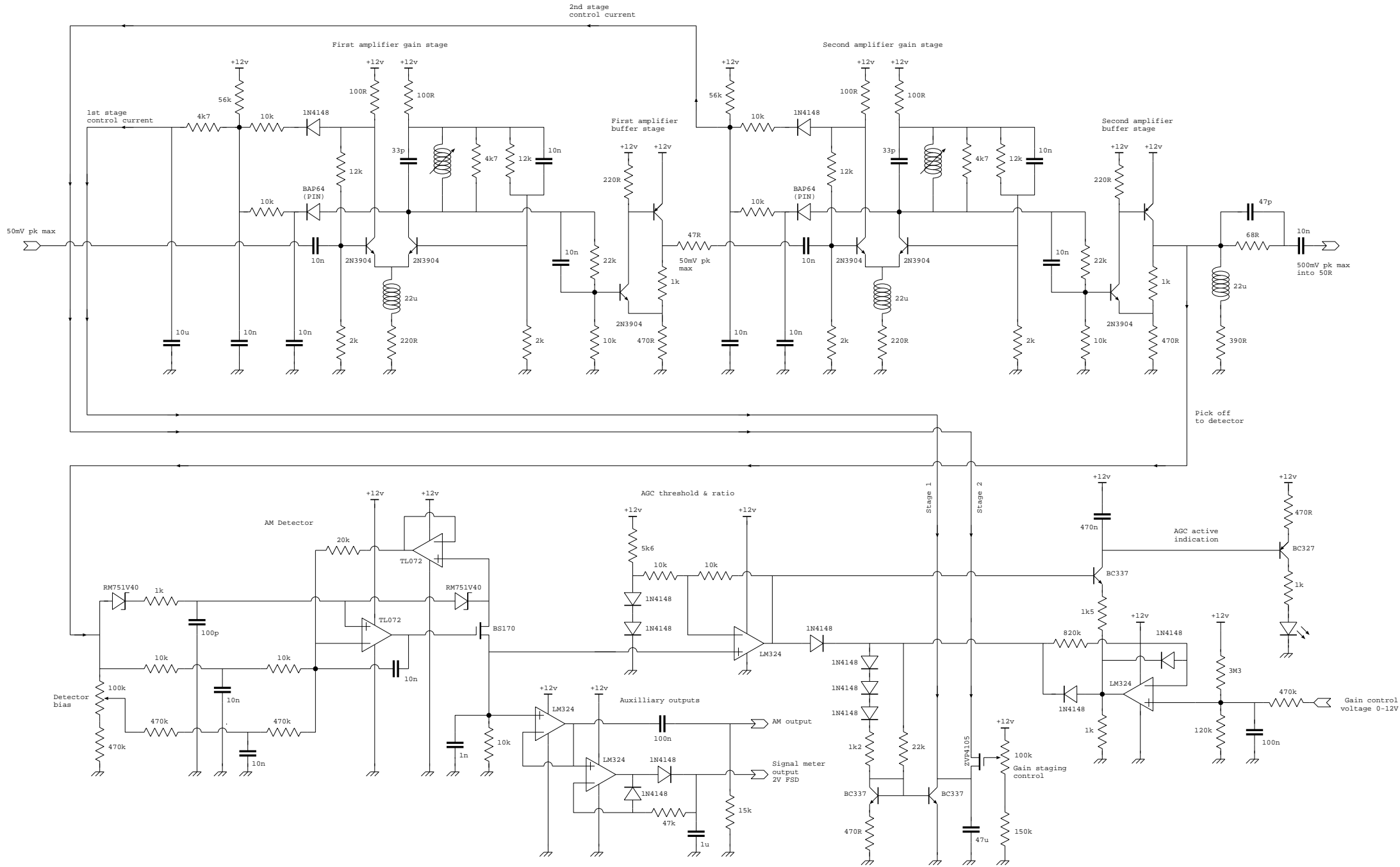
2: Local oscillator 25MHz



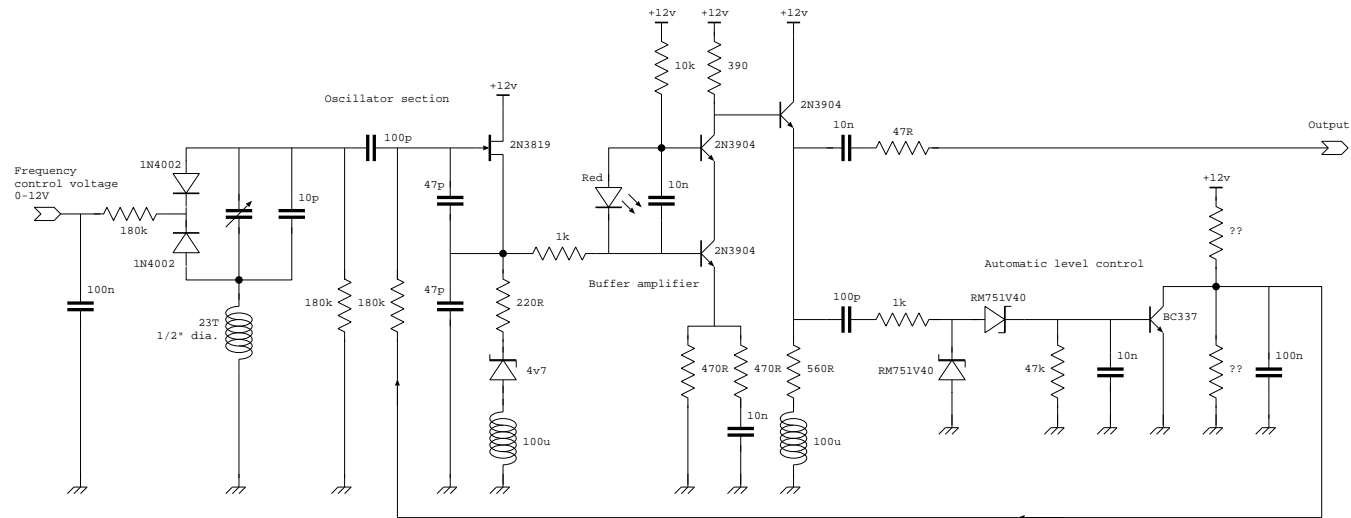
3: First mixer



4: IF Amplifier



5: Beat frequency oscillator 10.7MHz



6: Second mixer

